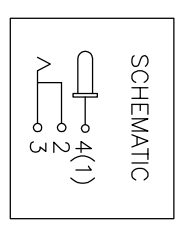
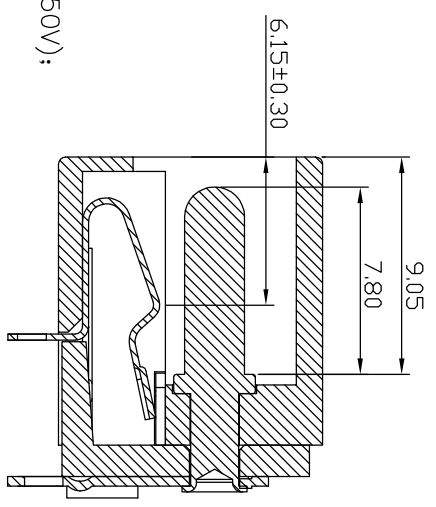
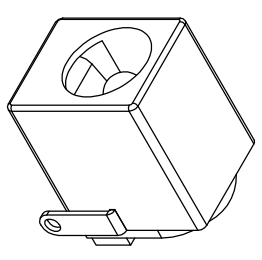
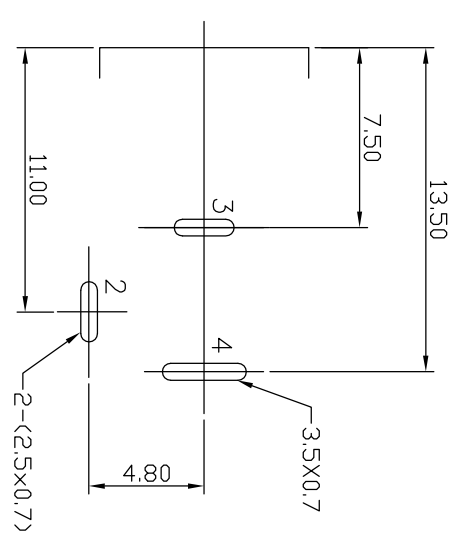
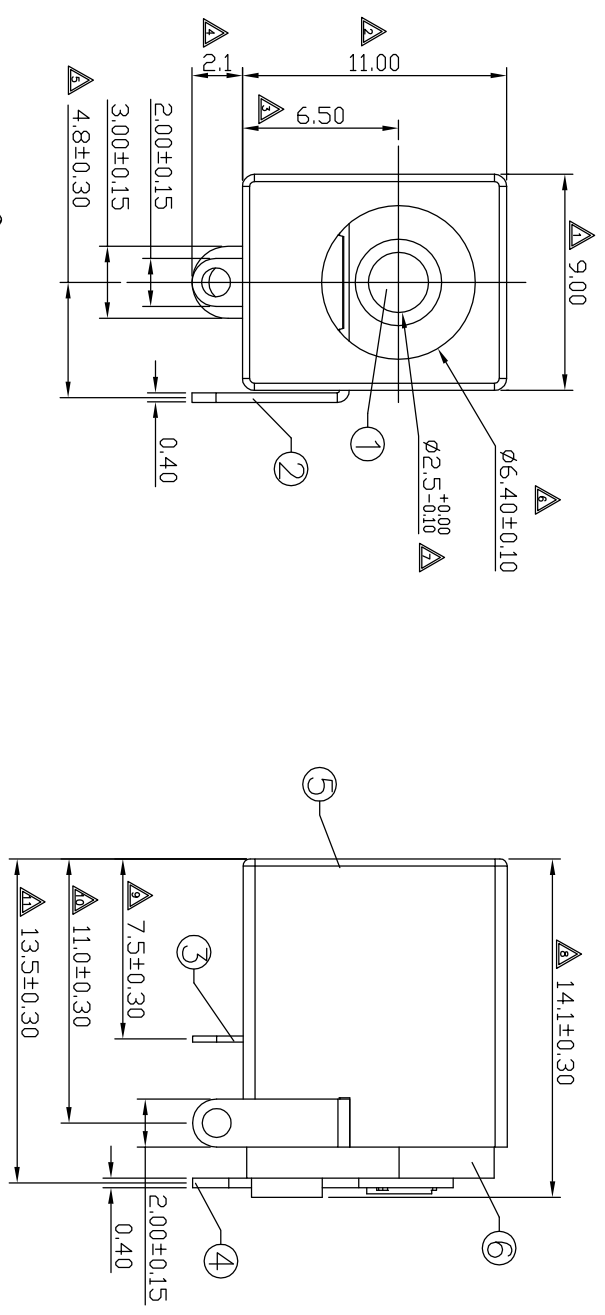




RoHS Compliant

Level-1 Controlled Substances are banned

P.C.B LAYOUT  
TOP VIEW



SPECIFICATION

- 1.Rating : DC 30V 1.0A;
- 2.Contact resistance: ≤0.03Ω;
- 3.Insulation resistance: ≥100MΩ (DC250V);
- 4.Withstand voltage: 500V/AC ;
- 5.Insertion and extraction force: 3-30N;
- 6.life test: 5,000 cycles.
- 7.Marked  $\nabla$  are important dimensions.

NO.	DESCRIPTION	QTY	MATERIAL	COLOR	REMARK
6	COVER	1	LCP		
5	HOUSING	1	LCP		
4	FLAT FOOT	1	BRASS		Ag-Plating
3	SPRING PIECE	1	BRONZE		Ag-Plating
2	CURVE PIECE	1	BRASS		Ag-Plating
1	PIN	1	BRASS		Ni-Plating

GENERAL TOLERANCE  
UNLESS OTHERWISE SPECIFIED



盛聰电子有限公司  
SHENG CONG ELECTRONIC CO.,LTD

ECN(DCN) NO.	REV	DATE	DESCRIPTION	CHANGE	APPRO.	APPRO.	Max.hu	Max.hu	20'/04/09
	0	20'/04/09	NEW	Steven	Max.hu	CHECK	Jason	20'/04/09	

General	Angle	CUSTOMER COPY	TITLE:
X ± 0.50	X ± 3°	PART NO.	DC-JACK
XX ± 0.30	XX ± 2°		
XX ± 0.20	XX ± 1°		
XXX ± 0.10			

PROJ:	SCALE:	UNIT:	SIZE:	SHEET:
PROJ:	SCALE: 1:1	UNIT:mm	SIZE: A4	SHEET: 1 OF 1