

Cat5e Lan Network Cable

SPECIFICATION

FEATURES	
TIA/EIA-568B.2-1;ISO/IEO 11801;NEC/CEC Fire protection – IEC60332-1 (CM) Cable is used for indoor installation	
CONSTRUCTION	
Conductor: Bare Solid Copper Conductor Dia.:0.51mm±0.005mm (24AWG) Pair Insulation:Polyethylene Outer Cable Diameter: 5.7 ± 0.2 mm	Pair Identification: Pair1= Blue/White Pair2= Orange/White Pair 3= Green/White Pair4= Brown/White Outer Jacket: PE+PVC Compound Jacket Jacket Color:Black Color
TECHNICAL CHARACTERISTICS	
Installation Temperature: 0°C to +60°C Operating temperature: -20°C to +75°C DC Resistance Unbalance :5% Pair-to-Ground Capacitance Unbalance :330 pF/100 m Capacitance:14pF/ft nominal	Pulling strength: 130 N Minimum bend radius: 4 outer cable diameters Dielectric Breakdown:1000 Volts DC Conductor to Conductor Velocity of Propagation:PE=65% Maximum Skew:45ns@100 meters
PACKAGING	
305m/1000ft Easy pulling box; 500m/wooden reel;1000m/wooden reel	

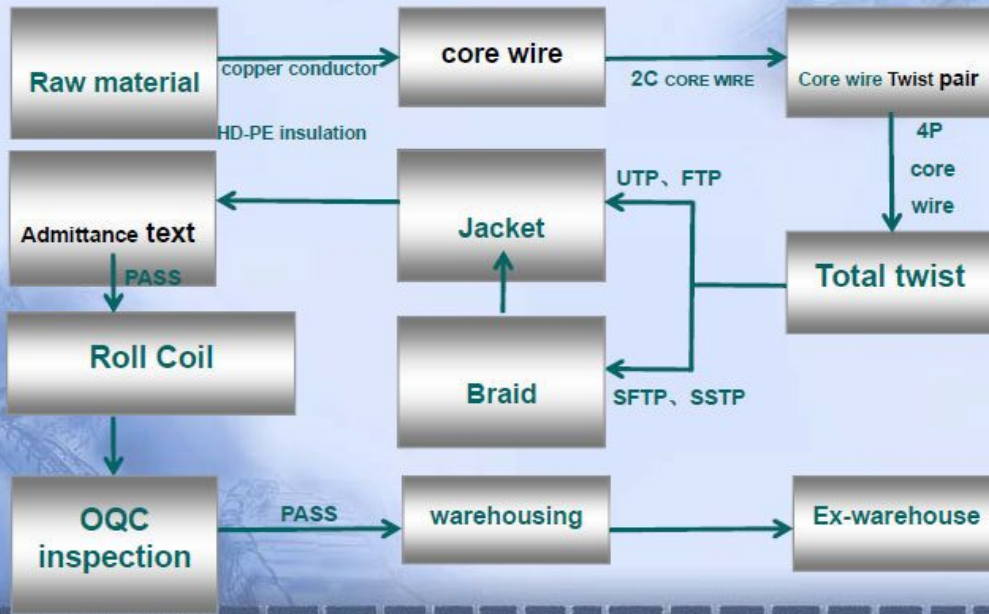
ELECTRICAL CHARACTERISTICS

Frequency, MHz	RL	Attenuation, \dB	NEXT, dB	PSNEXT, dB	ELFEXT, dB	PSELFEXT, dB
0.772	-	1.8	67	64	-	-
1	20	2	65.3	62.3	63.8	60.8
4	23	4	56.3	53.3	51.7	48.7
8	24.5	5.8	51.8	48.8	45.7	42.7
10	25	6.5	50.3	47.3	43.8	40.8
16	25	8.2	47.3	44.3	39.7	36.7
20	25	9.3	45.8	42.8	37.7	34.7
25	24.3	10.4	44.3	41.3	35.8	32.8
31.25	23.6	11.7	42.9	39.9	33.9	30.9
62.5	21.5	17	38.4	35.4	27.8	24.8
100	20.1	22	35.3	32.3	23.8	20.8

CAT.5E Cable Application



Lan cable production line



一、Copper Machine and Core wire production line



二、Core wire total twist pair



三、Total twist



四、Braid



五、Jacket PVC or LSZH



六、Cable Roll Coil



Network Cable Bulk Cable Test

- Fluke Test Machine

