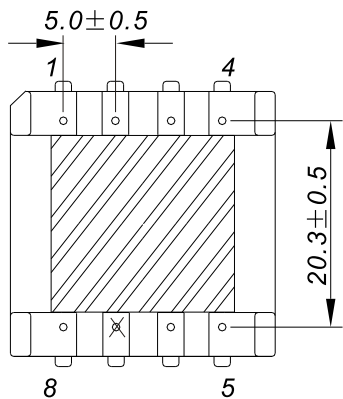
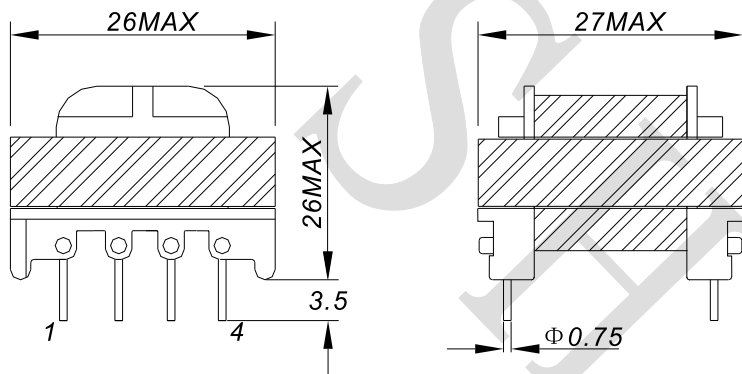


MECHANICAL DIMENSION: (UNIT:mm)



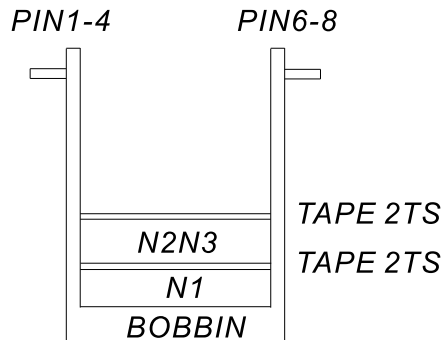
Marking

TEF2511-029
YYWW

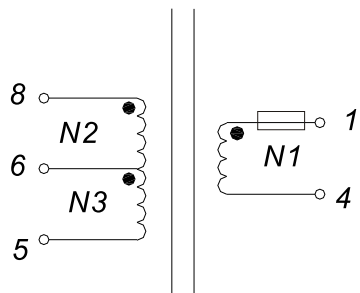
Pin1 Pin4

CUT OFF PIN 7

WINDING CONSTRUCTION:



SCHEMATIC:



Rev.	Description	Date
A0	New release	2016-01-05

WINDING:

WDG	TERMINAL	WIRE SIZE	TURNS	TAPE	REMARKS
N1	1-4	LITE $\phi 0.1 \times 40Pmm$	80TS	2TS	
N2	8-6	$\phi 0.21mm$	3TS		
N3	6-5	$\phi 0.21mm$	5TS	2TS	

ELECTRICAL CHARACTER:

NO.	ITEM	MEASURED POINT	TECHNICAL DATA	TEST CONDITION & INSTRUMENT
1	Inductance	L(1-4)	435uH±10%	1KHZ 0.3V
2	HI-POT	PRI TO SEC	1.5KV 50Hz, 5mA, 3S	epe 7112
		COIL-CORE	1.0KV 50Hz, 5mA, 3S	

MATERIAL LIST:

NO.	ITEM	MATERIALS	RATING	FILE NO	SUPPLIERS
1	BOBBIN	PHENOLIC T375J UL RATING:94V-0	130°C	E59481(S)	CHANGCHUN PLASTICS CO.,LTD
2	CORE	TP4	---	---	TDG
		PC40	---	---	TDK
3	WIRE	DD	155°C	E84081	PACIFIC ELECTRIC WIRE & CABLE CO.,LTD
4	TAPE	PZ-280	130°C	E165111	JINGJIANG YAHUA PRESSURE SENSITIVE GLUE CO., LTD.
5	VARNISH	T4260A	130°C	E228349	WU JIANG TAIHU INSULATING MATERIAL CO LTD

NAME:	Flyback Transformers		
CUSTOMER P/N:		DATE:	2016-01-05
SHINHOM P/N:	TEF2511-029	REV: A0	PAGE
DRAWN BY	CHECKED BY	APPROVE BY	



SHINHOM
SHAANXISHINHOM ENTERPRISE CO LTD

TEL:+86-029-87851838
FAX:+86-029-87851840
ZIP:710054
Http://www.shinhom.com
E-mail:shinhom@globalsources.com
sales@shinhom.com.cn
NO. 8. Yanta Northern Road, Xi'an Shaanxi Pro. China