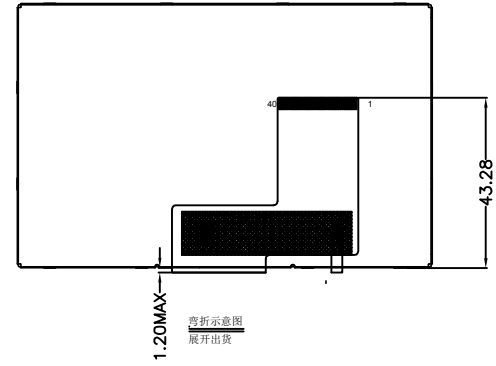
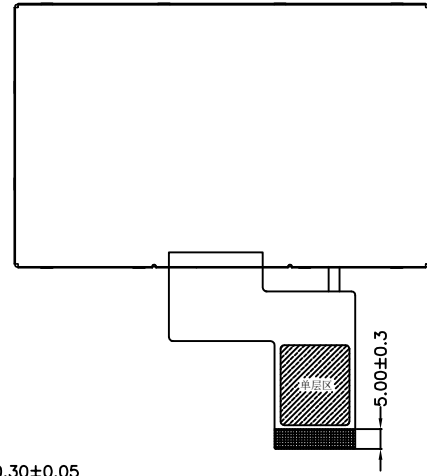
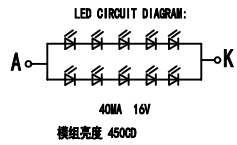
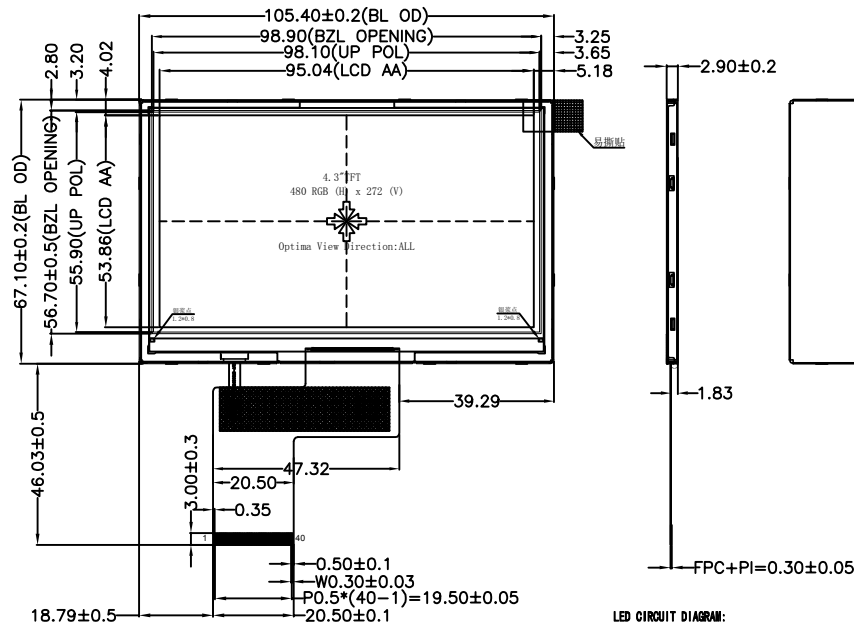


CUSTOMER APPROVAL:

| REV | DESCRIPTION | CHANGED BY | DATE       |
|-----|-------------|------------|------------|
| A0  | First Issue | SU         | 2022.02.11 |

FPC INTERFACE

|    |       |
|----|-------|
| 1  | VLED- |
| 2  | VLED+ |
| 3  | GND   |
| 4  | VDD   |
| 5  | R0    |
| 6  | R1    |
| 7  | R2    |
| 8  | R3    |
| 9  | R4    |
| 10 | R5    |
| 11 | R6    |
| 12 | R7    |
| 13 | G0    |
| 14 | G1    |
| 15 | G2    |
| 16 | G3    |
| 17 | G4    |
| 18 | G5    |
| 19 | G6    |
| 20 | G7    |
| 21 | B0    |
| 22 | B1    |
| 23 | B2    |
| 24 | B3    |
| 25 | B4    |
| 26 | B5    |
| 27 | B6    |
| 28 | B7    |
| 29 | GND   |
| 30 | PCLK  |
| 31 | DISP  |
| 32 | HSYNC |
| 33 | VSYSN |
| 34 | DE    |
| 35 | NC    |
| 36 | GND   |
| 37 | NC    |
| 38 | NC    |
| 39 | NC    |
| 40 | NC    |



|                   |          |                          |                 |
|-------------------|----------|--------------------------|-----------------|
| LCD SIZE/TYPE     | 4.3" TFT | OPERATING TEMP.          | -20°C TO +70°C  |
| VIEWING DIRECTION | ALL      | STORAGE TEMP.            | -30°C TO +80°C  |
| DRIVER IC         | SC7283   | BACKLIGHT                | 10 LED          |
| POLARIZE TYPE     | 上沙下镜片    | LUMINANCE                | 400cdm2-450cdm2 |
| OPERATING VOLTAGE | 2.8V     | Environmental Protection | RoHS Compliant  |

|                          |           |            |
|--------------------------|-----------|------------|
| 3rd Angle                | UNIT: mm  | SCALE: FIT |
| UNMARKED TOLERANCE: ±0.3 | REV.: 1.0 | PAGE: 1/1  |
| DRAWN BY                 | NAME      | DATE       |
| CHECKED BY               |           |            |
| APPROVED BY              |           |            |

|  |  |              |               |
|--|--|--------------|---------------|
|  |  | PART NAME    | TFT MODULE    |
|  |  | MODEL NO.    | THEM043-01-GD |
|  |  | CUSTOMER NO. | /             |

MARK "\*" ARE IMPORTANT DIMENSION, MARK "(" ) ARE REFERENCE DIMENSION, MARK "★" ARE SPECIAL CHARACTERISTICS RELATED TO SAFETY, MARK "☆" ARE SPECIAL CHARACTERISTICS IRRELEVANT TO SAFETY, MARK "●" ARE IMPORTANT CHARACTERISTICS EXCEPT FOR THE SPECIAL CHARACTERISTICS.

由Autodesk 教育版产品制作

由Autodesk 教育版产品制作