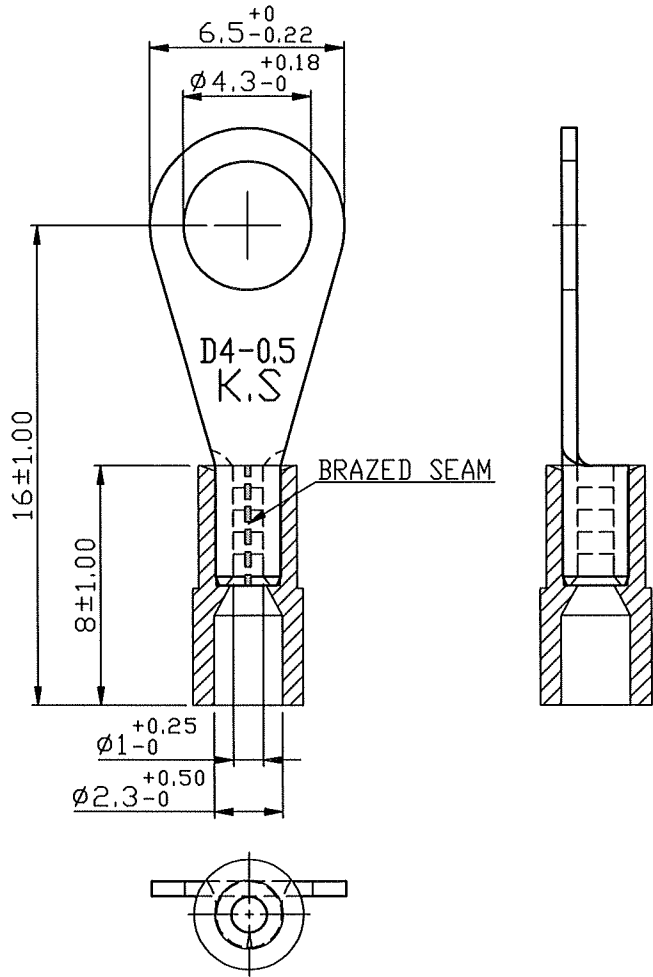


A B C D E F G H

REV	DESCRIPTION	DATE
-----	-------------	------



NOTE :

1. MAXIMUM ELECTRIC CURRENT : 

A.W.G.	26	24	22
AMP.	5.5	7	9
2. MAXIMUM ELECTRICAL RATING : 105°C 600 VOLTS MAX.
3. INSULATION MATERIAL : NYLON
4. INSULATION COLOR : YELLOW
5. TERMINAL MATERIAL : COPPER
6. WIRE RANGE : 26-22 A.W.G. ( 0.2-0.5 mm<sup>2</sup> )
7. TERMINAL SURFACE TREATMENT : TIN PLATED
8. TERMINAL THICKNESS : 0.50 mm

Tolerance Unless Otherwise Specified	
0 > 6 mm ± 0.20	ANGLE
6 > 18 mm ± 0.30	0° > ° REF ±
18 > 30 mm ± 0.40	° > ° ±
30 > 75 mm ± 0.50	° > ° ±

NAME	NYLON-INSULATED RING TERMINALS			UNIT	mm	
PART NO.	DRNYB4-0.5	MATERIAL	-----	APPROVE		
NUMBER	KA-96515-C	SCALE	SHEET PAGE	CHECKED		
DATE	2007/04/12	4/1	1-0 10F2	DRAWN	張馨尹	

WIN-KARE TECHNOLOGY CO., LIMITED

A B C D E F G H